

GV-NET Card V3.1

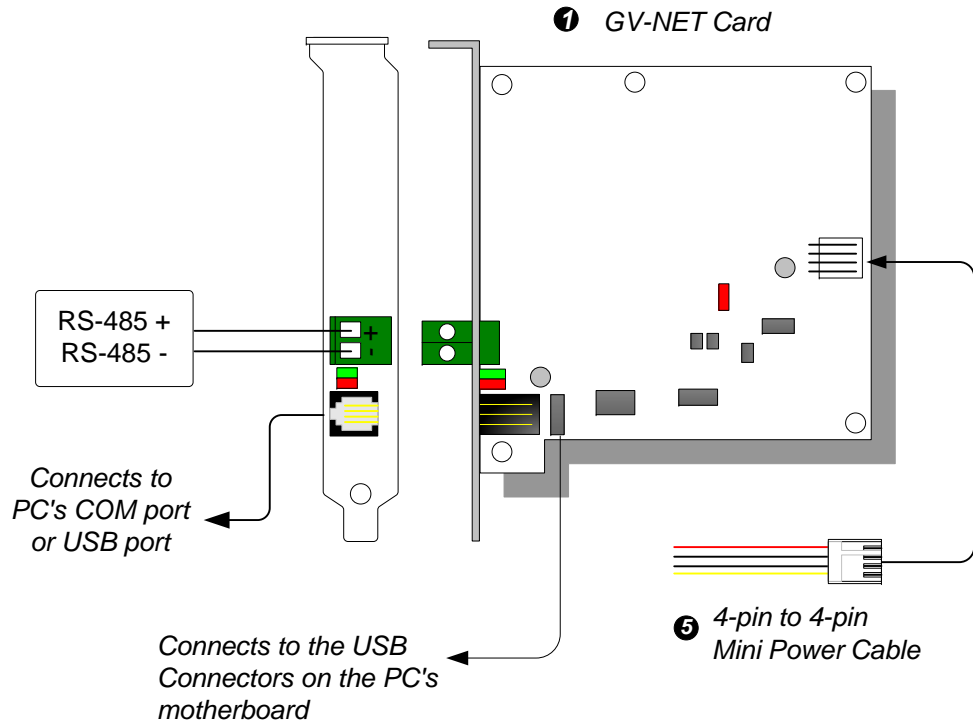
The GV-NET Card is a RS-485 / RS-232 interface converter. The Card connects To the RS-232 port or USB port on your computer, and allows RS-485 devices, such as PTZ domes, to be connected through the Card.

Installation

Insert the GV-NET Card to an empty card slot. Use the 4-Pin Mini Power Cable to connect the GV-NET card to the PC's power supply.

Packing List

- ❶ GV-NET Card x1
- ❷ RJ-11 to DB9 Cable x1
- ❸ RJ-11 to USB Cable x 1
- ❹ 3-Pin Internal USB Cable x 1
- ❺ 4-Pin to 4-Pin Mini Power Cable x 1
- ❻ Installation Guide x 1



Specifications

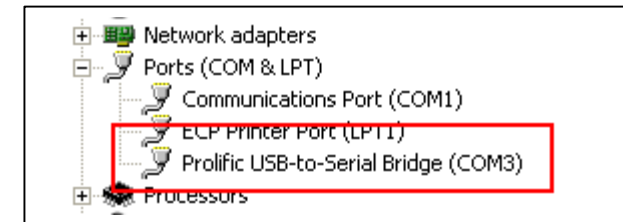
Interface	RJ-11 to DB9 (RS-232)
	RJ-11 to USB
	3-Pin Internal USB to Internal USB
	RS-485+ / RS-485-
Communication	RS-485 1,200~115,200 bps; USB
Environmental Conditions	0 to 50 degree C / 32 to 122 degree F 5%~95% (non-condensing)
Compatible Model	All GV-Video Capture Card Models
Dimensions (W x H)	97 x 90 mm / 3.82 x 3.54 in

Note: Currently the product does not support 64-bit Windows versions when you choose the USB port for connection. For users of 64-bit Windows versions, you need to use the COM port for connection.

USB Driver Installation

To use the USB function, it is required to install the driver on the PC. Follow these steps to install the driver:

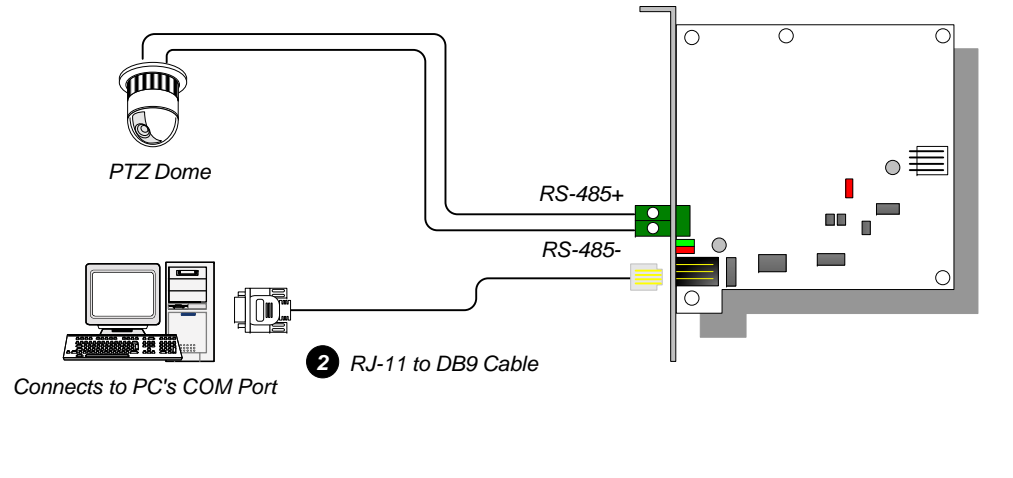
- (1) Insert the software DVD. It will run automatically and pop up a window.
- (2) Select **Install or Remove GeoVision GV-Series Driver** and then click **Install GeoVision USB Device Drivers**. This dialog box appears.
- (3) Click **Install** to install the drivers. When the installation is complete, this message will appear: *Install done!*
- (4) Click **Exit** to close the dialog box.
- (5) To verify the drivers are installed correctly, go to Device Manager. Expanding the Ports field, you should see one entry for Profile USB-to-Serial Bridge.



Connections

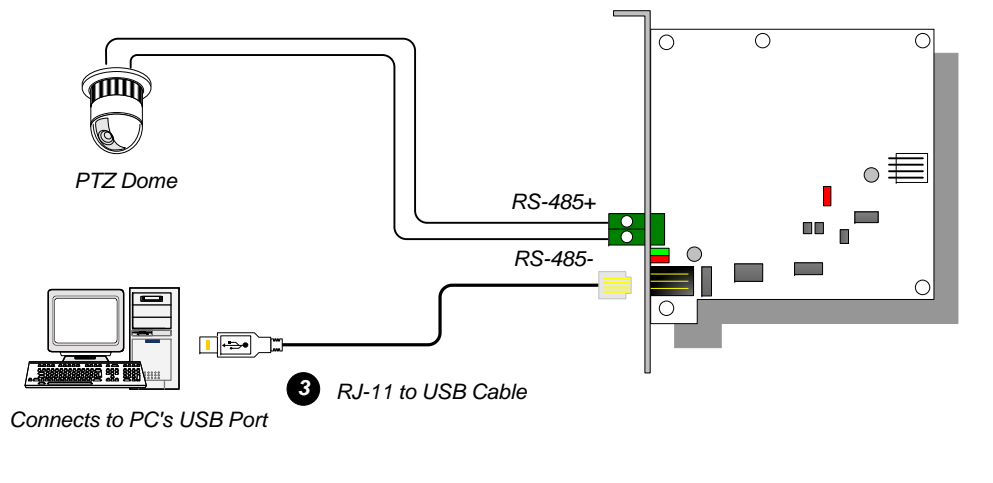
To connect the GV-NET Card to the RS-485 devices, there are three ways of connections. See the pictures below.

1. Connecting a RJ-11 to DB9 Cable to the PC's COM Port when a RS-485 device is connected.



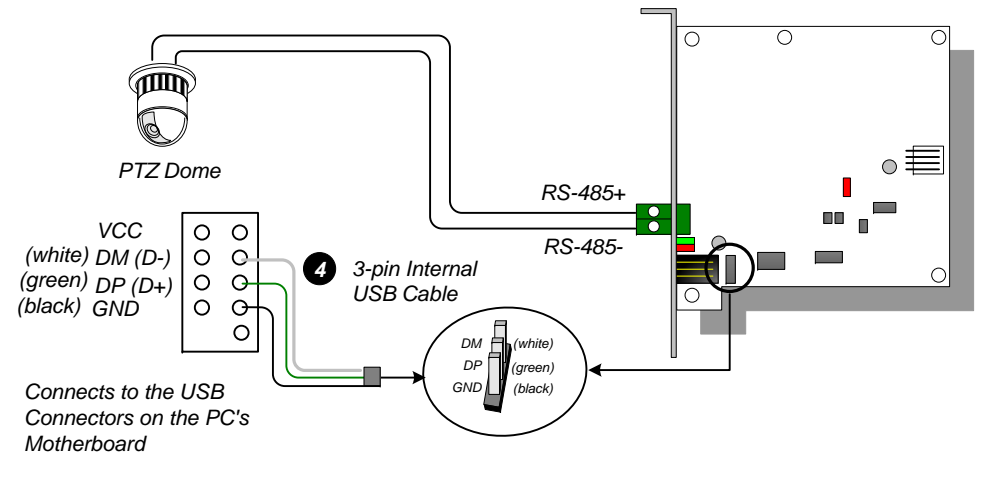
2. Connecting a RJ-11 to USB Cable to the PC's USB Port when a RS-485 device is connected.

* Installation of USB driver is required.



3. Connecting a 3-Pin Internal USB Cable to the USB connectors on the PC's Motherboard when a RS-485 device is connected.

* Installation of USB driver is required.



Note: The GV-NET Card only provides RS-485 / RS-232 data conversion; the connection to the GV Video Capture Card is not required.